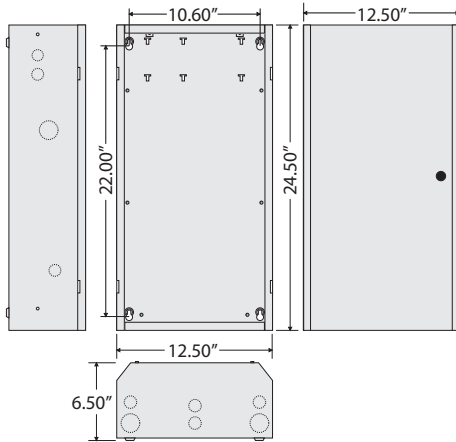


AC POWER SUPPLY

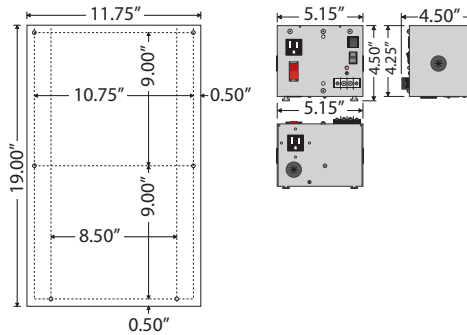
MHP3903100AB10

Enclosed Single 100 VA Power Supply with Subpanel:
Models MH3900 + SP3803S + PS100AB10



MHP3904100AB10

Enclosed Single 100 VA Power Supply with Subpanel:
Models MH3900 + SP3804S + PS100AB10



POWER SUPPLIES

POWER SUPPLY (PS100AB10)

Transformer: One 100 VA Split-Bobbin
Over Current Protection: Circuit Breaker
Frequency: 50/60 Hz
24 Vac ON/OFF: On / Off Switch & Breaker
Main Breaker ON/OFF: Switch / Breaker (10 Amp)
 (Kills power to entire unit: Outlets, Aux. Output, & Transformer)*
Approvals: Class 2 (UL Approved UL5085-3), UL916, C-UL, CE, RoHS
Dimensions: 4.500" x 8.625" x 4.500"
Weight: 4.600 lbs.

Input Wires: Input Power Wires
 BLK: 120 Vac
 WHT: Neutral
 GRN: Ground

Outlet Wires
 BLK: 120 Vac
 WHT: Neutral
 GRN: Ground

Output Wires: Auxiliary Output
 BLU: 120 Vac

Notes:

- Output derating may exceed 20% due to elevated ambient temperature or heat buildup in device over time.
- Design is in accordance with ASCE 7-05 Chapter 13

SELECTION GUIDE

| Model # | Sub-Panel |
|----------------|------------------|
| MHP3903100AB10 | Polymetal |
| MHP3904100AB10 | Perforated Steel |

POLYMETAL SUB-PANEL (SP3803S)

Mounting Area: 223.25" square
Approvals: Plenum Rated
Dimensions: 19.00" x 11.75"
Weight: 1.705 lbs.

PERFORATED STEEL SUB-PANEL (SP3804S)

Mounting Area: 223.25" square
Approvals: Plenum Rated
Dimensions: 19.00" x 11.75"
Weight: 2.94 lbs.

METAL HOUSING (MH3900)

Construction: 14 Gauge Steel
Cover Type: Reversible Hook Hinge Key Latch Door
Approvals: UL Listed, C-UL, CE Approved, RoHS
Dimensions: 12.50" (W) x 24.50" (H) x 6.50" (D)
Weight: 24.30 lbs.